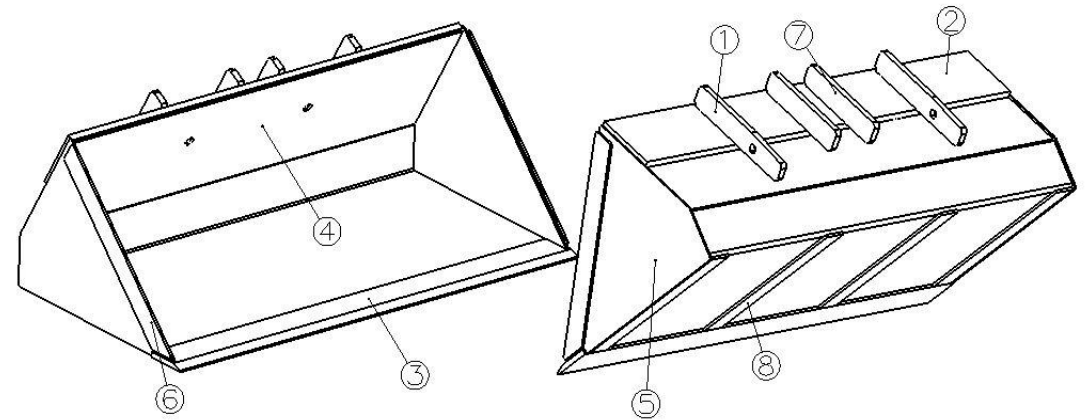


# BUCKET

<b>MACHINE</b>	<b>BUCKET 76</b>
<b>COMPANY</b>	<b>RPTECHNIEK</b>
<b>BUCKET TYPE</b>	<b>90035-Z-M</b>

DATE: 30.11.2018

MATERIAL COMPOSITION				
No	Description	Material	Thickness (mm)	Explanation
1	HINGE PLATE	S355	15	
2	SIDE BOX	S235	15	
3	EDGE	HARDOX	12	
4	BODY	S235	5	
5	SIDE WALL	S235	4	
6	SIDE PROTECTION	S235	6	
7	REINFORCEMENT	S355	15	
8	WEAR STRIPS	S235	6	
9	ADAPTOR+TOOTH+PIN			



APPROVAL	CUSTOMER APPROVAL
----------	-------------------

## MODEL FEATURES

EDGE LENGTH (mm)	760
CAPACITY SAE (m <sup>3</sup> )	0,12
WEIGHT (kg)	65
TOOTH PCS.	
DELIVERY TIME	6 WEEKS