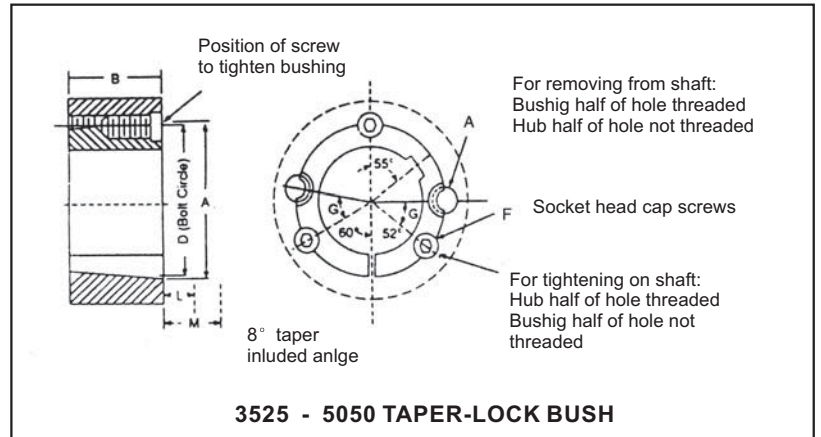
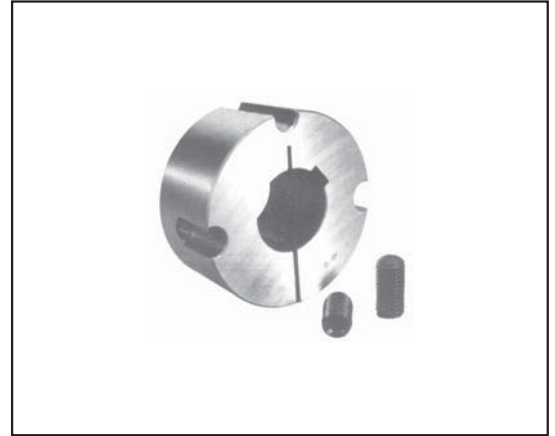
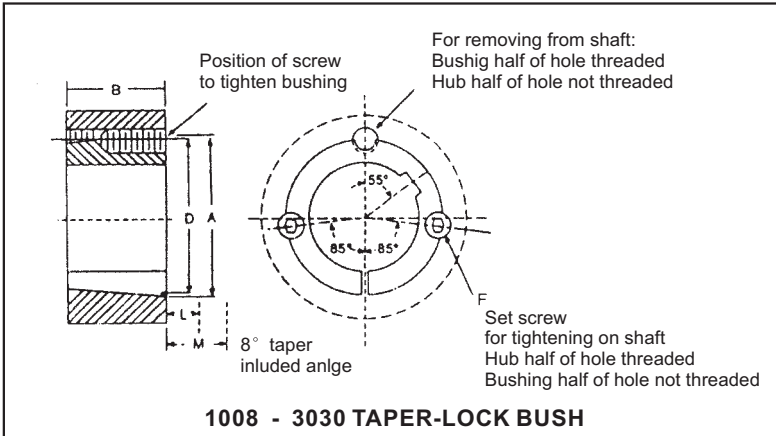


# Taper Bushings

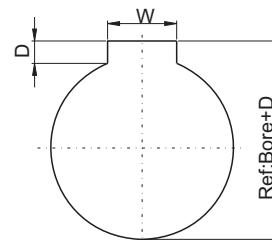


**Dimensions for 1008 thru 3030 TAPER Bushings**

Bush.No.	A	B	D	Set Screws
1008	1.386	7/8	121/64	1/4x1/2
1108	1.511	7/8	129/64	1/4x1/2
1210	17/8	1	13/4	3/8x5/8
1215	17/8	1 1/2	13/4	3/8x5/8
1310	2	1	17/8	3/8x5/8
1610	2 1/4	1	2 1/8	3/8x5/8
1615	2 1/4	1 1/2	2 1/8	3/8x5/8
2012	2 3/4	1 1/4	2 5/8	7/16x7/8
2017	2 3/4	1 3/4	2 5/8	7/16x7/8
2517	3 3/8	1 3/4	3 1/4	1/2x1
2525	3 3/8	2 1/2	3 1/4	1/2x1
3020	4 1/4	2	4	5/8x1 1/4
3030	4 1/4	3	4	5/8x1 1/4

**Dimensions for 3535 thru 5050 TAPER Bushings**

Bush.No.	A	B	D	Socket Head Cap Screws	G
3535	5	3 1/2	4.83	1/2x1 1/2	40
4040	5 3/4	4	5.54	5/8x1 3/4	40
4545	6 3/8	4 1/2	6.13	3/4x2	40
5050	7	5	6.72	7/8x2 1/4	37



**ISO STANDARD METHOD FOR MEASURING KEYSEAT DEPTH**  
D: depth measured at centering

MM Bore Key way dimensions conform to ISO standard

**CLOSE GRAIN CAST IRON**

Taper bushings made of steel or stainless steel are available as made to order.





